

SOT-23 SCHOTTKY BARRIER DIODE

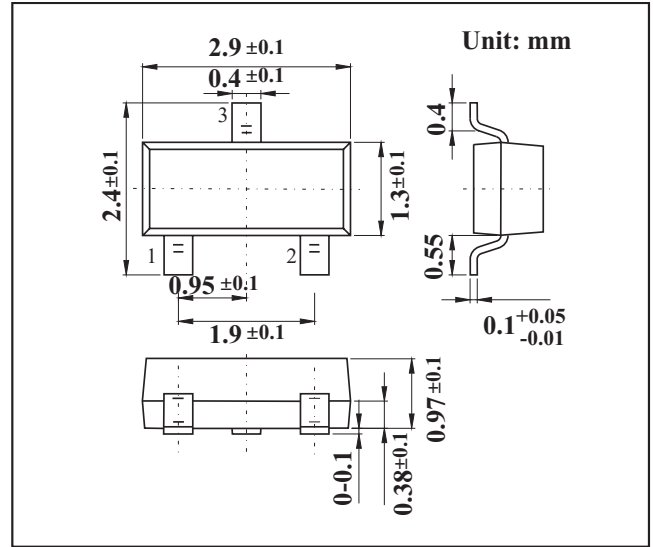
VOLTAGE RANGE: 25V PEAK PULSE POWER:200mW

FEATURES

- Small surface mounting type
- Low reverse current and low forward voltage
- High reliability

MECHANICAL DATA

- Case: SOT-23 Small Outline Plastic Package
- Polarity: Color band denotes cathode end
- Mounting Position: Any



MAXIMUM RATINGS AND CHARACTERISTICS

@ 25°C Ambient Temperature (unless otherwise noted)

Parameter	Symbol	Limit	Unit
Peak reverse voltage	V _{RM}	25	V
DC reverse voltage	V _R	20	V
Mean rectifying current	I _F	1	A
Non-repetitive Peak Forward Surge Current @t=8.3ms	I _{FSM}	3	A
Power dissipation	P _D	200	mW
Thermal Resistance Junction to Ambient	R _{θJA}	500	°C/W
Junction temperature	T _j	125	°C
Storage temperature	T _{stg}	-55~+150	°C

Electrical Specification (T_A=25°C unless otherwise specified)

Parameter	Symbol	Min	Typ	Max	Unit	Conditions
Forward voltage	V _F		0.45		V	I _F =1A
Reverse current	I _R		200		μA	V _R =20V

Marking: D2E

RATINGS AND CHARACTERISTIC CURVES

